

# TTLan<sup>®</sup> Cat.6<sub>A</sub> RJ45 Field Termination Plug

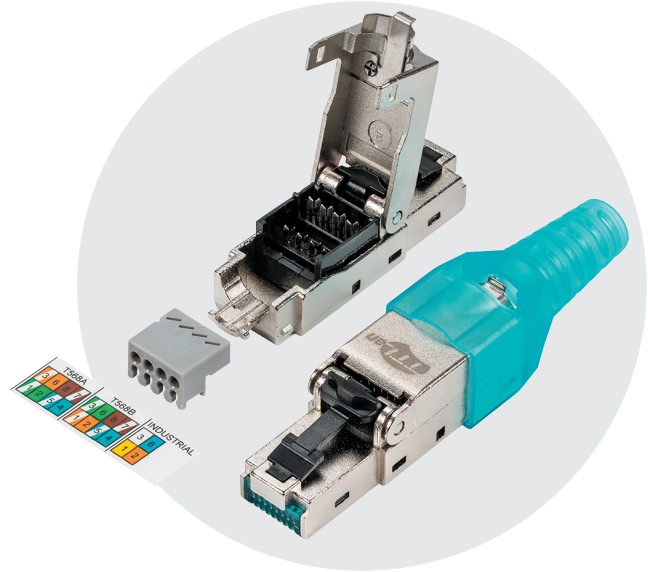
short design

supports industrial ethernet

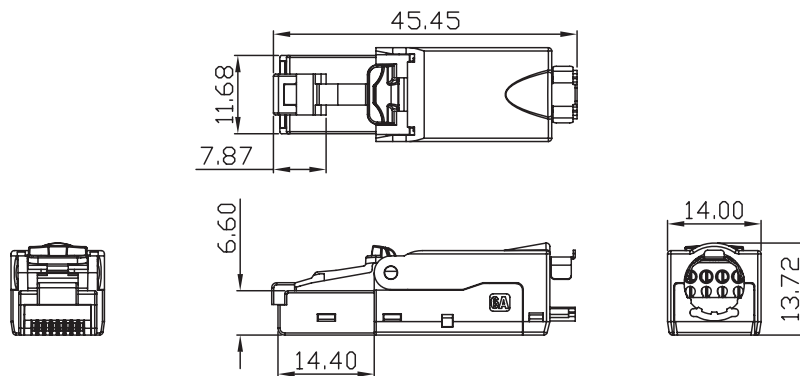
fully-shielded

up to 5x reassemblable

UL listed



| Specification                                       | Technical Data                       | Standards / Tests        |
|-----------------------------------------------------|--------------------------------------|--------------------------|
| connector type: RJ45                                | contacts with 50μ gold-plating       | category: 6 <sub>A</sub> |
| suitable for cables with solid wire AWG 26 up to 22 | pin-out: EIA/TIA 568 A/B and PNO     | mating cycles: >750      |
| stranded wire AWG 27 up to 22                       | UL listed                            |                          |
| and outer diameter 6.0 bis 9.0 mm                   | temperature range: -10°C up to +60°C |                          |
| design: short                                       | power rating: 1.5 A                  |                          |
| material: zinc die-cast, shielded                   |                                      |                          |
| assembly: no tool necessary                         |                                      |                          |



| Art. No. | EAN No.       |
|----------|---------------|
| 8134     | 4260424515146 |

