

Robust, lockable RJ45 Solution: TTLan® Cat.6_A PushPull Built-in Jack and Connector

Tool-free assembly

Easy, flexible installation

Suitable for harsh environments

Steady high performance

PoE+ and 4PPoE compliant



Cat.6_A RJ45 Built-in Jack Cat.6_A RJ45 Field Termination Plug with housing

The plug can be inserted precisely into the jack and snaps into place. This ensures a stable connection.

Both connectors are made of sturdy metal and are equipped with a push-pull locking system, which ensures a secure grip and constant data flow. AWG22 to AWG26 and 6 to 8.5 mm OD cables can be attached to the RJ45 jack without tools, AWG22 to AWG26 or AWG27 cables to the connector, and 6 to 9mm cable OD.

The push-pull connector comes with a rubber cap that protects it from moisture ingress while not being connected.

Push-Pull RJ45 Built-in Jack Item No. 8137

Specification

Type:	RJ45 Socket
Category:	6 _A
Class:	EA STP
Pin-out:	Dual 568A/B
Suitable for cables:	AWG22 - AWG26/outer diameter: 6.0 - 8.5 mm
Housing:	D-form, snap-in locking screw mounting

Mecanical properties

Material:	zinc-alloy, nickel impact-resistant, UV-stabilized
Contacts:	50µ gold plating force: 99.2g (3.5 oz)
Mating cycles:	~750



Transmission Properties

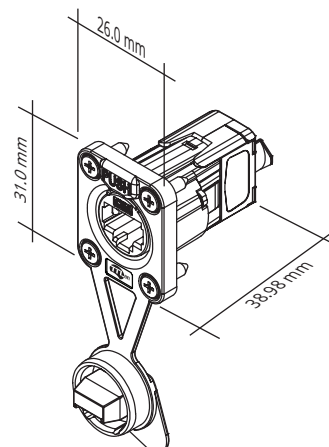
500 MHz / 10 Gbit Ethernet with high system reserve

Electrical Properties

Dielectric strength:	contact - contact: 1000V DC contact - housing: 1500V DC
Temperature range:	-40°C up to +66°C
Insulation resistance:	500Ω

Compliance Standards

ISO/IEC 11801-1:2017 (Ed.1.0)
TIA-568.2-D:2018
IEC 60603-7-/IEEE 802.3 PoE+ und 4PPoE



Delivery:

- 1x RJ45 Built-in Jack
- 1x cable tie for strain relief
- 2x Schrauben
- Pin-out guide
- Installation guide
- Protection cap (IP)



Robust, lockable RJ45 Solution: TTLan® Cat.6_A PushPull Built-in Jack and Connector

Push-Pull Field Termination Connector 8138

The RJ45 connector includes a Cat.6_A field termination plug and a rugged rubber-capped housing that protects the connector from moisture ingress. This makes it suitable for outdoor use.

The connector allows a quick, tool-free installation for connecting a cable with AWG22 to AWG26 or AWG27 core cross-sections and a cable outer diameter of 6 to 9 mm.

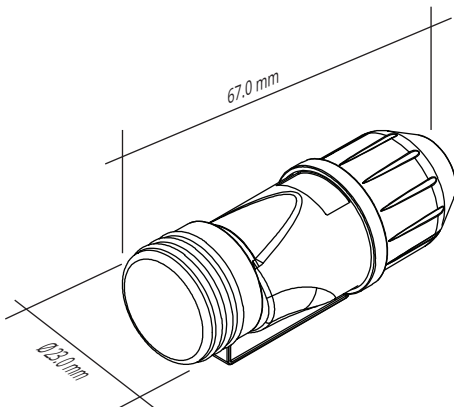


Specification

Type:	RJ45 field termination plug
Category:	6 _A
Class:	EA STP
Pin-out:	Dual 568A/B
Suitable for cables:	AWG22 - AWG26 (solid wire) AWG22 - AWG27 (braid) outer diameter: 6.0 - 9.0 mm
Housing:	Push Pull locking integrated rubber cap (IP65)

Mechanical Properties

Material:	zinc-alloy, nickel plastic ABS+PC 94V0 impact-resistant, UV-stabilized
Contacts:	phosphor bronze with 50μ gold plating
Mating cycles:	~750



Elektrical Properties

Dielectric strength:	1.5 Ampere contact - contact: 1000V DC
Insulation resistance:	500Ω
Contact resistance:	20m Ω MAX

Compliance Standards

IEC 60603-7-5
TIA-568A/B and PNO
4PPoE
UL listed

Delivery:

1. metal housing
2. field termination plug
3. rubber protection cap
4. connector protection cap
5. sealing plug for cables Ø 4.5 - 5mm (blue)
6. sealing plug for cables Ø 8-9 mm (black)
7. cable manager with pin-out guide
8. cable-tie for strain relief
9. installation guide

